



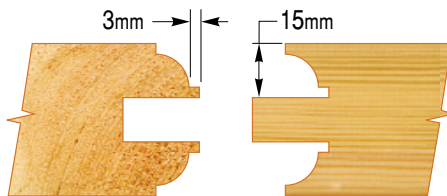
PROFILE-SCRIBE JOINTING SETS

Bearing guided profile cutters with matching scribes. These cutters are suitable for many joinery applications including door and window construction, panelling etc.

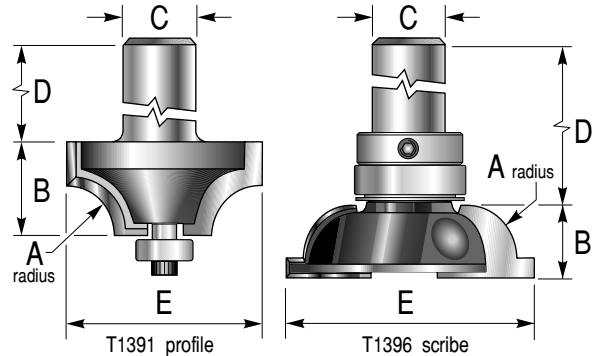
The cutters are available separately or in sets and are in 1/2" shank size only.

OVOLO

Profile cutters with matching scribes. They will produce a mould on either side of a 14–17mm tenon, so they are suitable for 44mm doors.

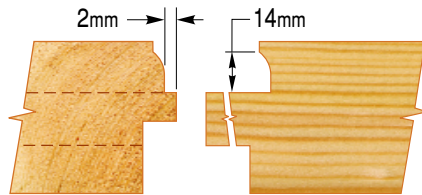


Part No.	A	B	C	D	E
T1391 1/2	9.0mm	14mm	1/2	40mm	34mm
T1396 1/2	9.0mm	12mm	1/2	52mm	43mm
T1391SET 1/2	Set of above cutters				

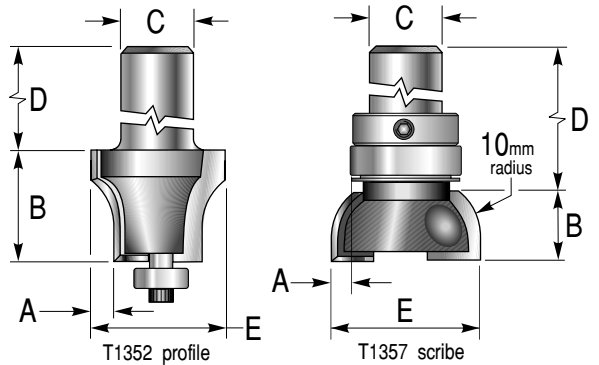


NARROW SASH OVOLO

An ovolo sash mould cutter for producing narrow glazing bars with a width of 16-20mm.

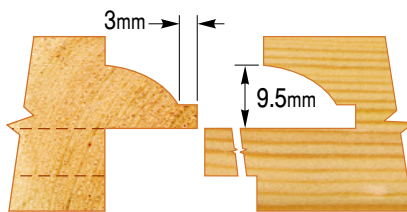


Part No.	A	B	C	D	E
T1352 1/2	4.0mm	19mm	1/2	40mm	22mm
T1357 1/2	4.0mm	14mm	1/2	51mm	27mm
T1352SET 1/2	Set of above cutters				

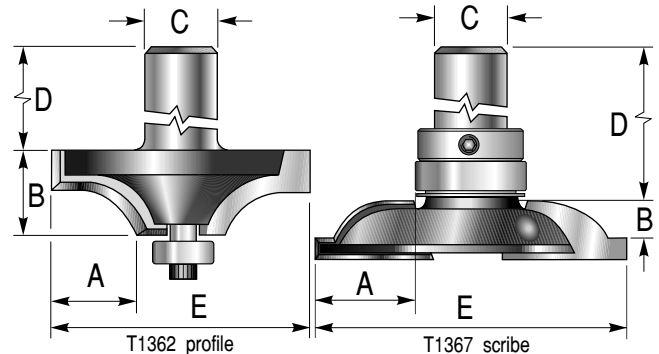


FLAT SASH OVOLO

A wide flat ovolo for window frames. Gives a traditional look but will accommodate double glazed units.

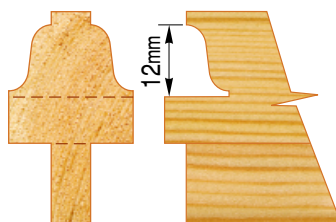


Part No.	A	B	C	D	E
T1362 1/2	12.0mm	11mm	1/2	38mm	40mm
T1367 1/2	15.0mm	6mm	1/2	48mm	37mm
T1362SET 1/2	Set of above cutters				



LAMBS TONGUE SASH

A traditional lambs tongue mould to produce window frames and glazing bars.



Part No.	A	B	C	D	E
T1387 1/2	6.5mm	18mm	1/2	45mm	29mm
T1389 1/2	6.5mm	12mm	1/2	52mm	32mm
T1387SET 1/2	Set of above cutters				

